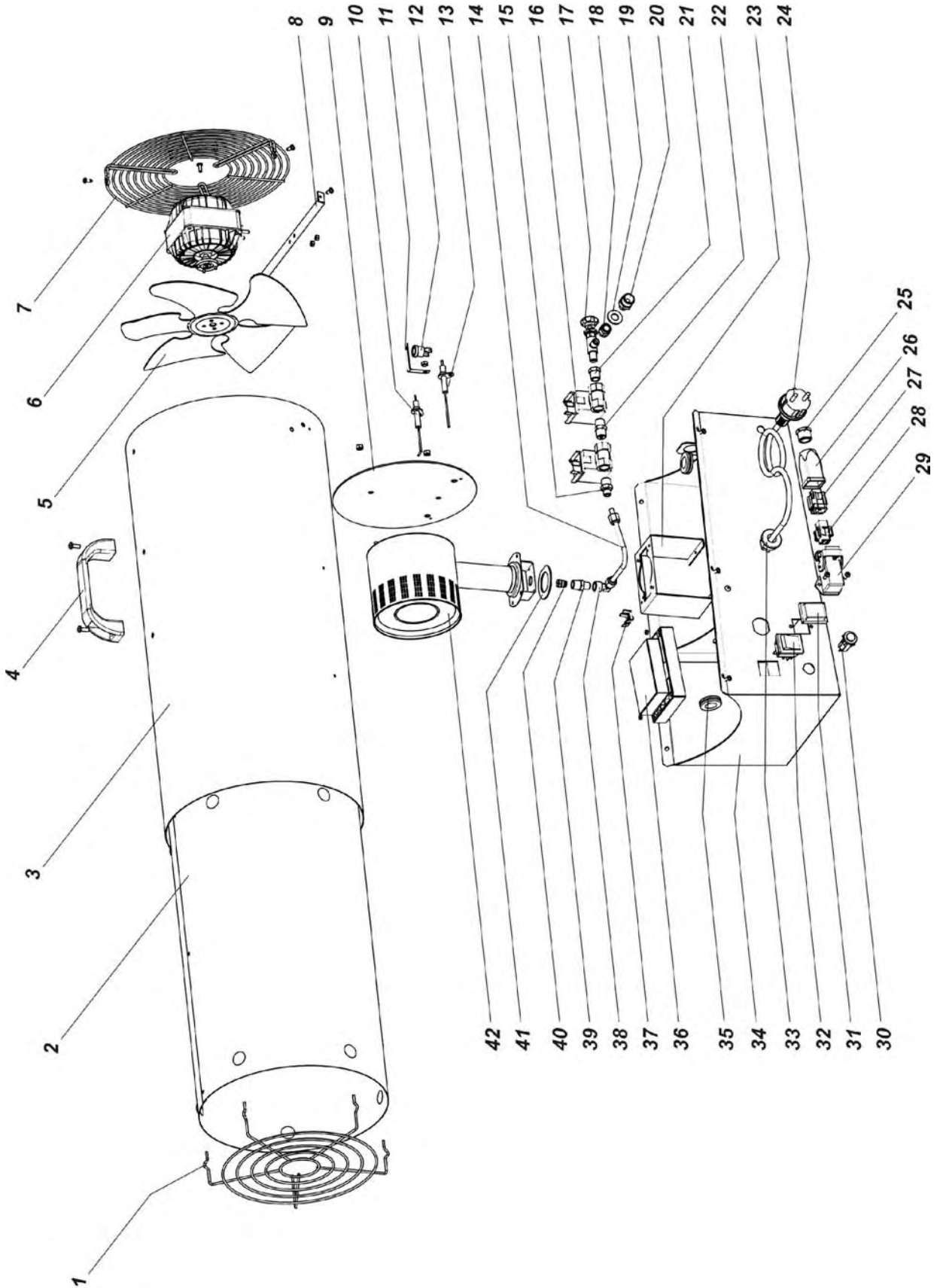


MASTER GAS HEATERS

MODEL 50 kW E

ILLUSTRATED PARTS BREAKDOWN



FIG

MASTER GAS HEATERS BLP 50E

Pos.	Code NR	Description
1	4160.740	OUTLET GRID
2	4161.083	COMBUSTION CHAMBER
3	S/R	COVER
4	4160.715	PLASTIC HANDLE
5	4160.691	FAN
6	4160.630	ELECTRIC MOTOR
7	4160.739	INLET GRID
8	4161.013	SUPPORT ELECTRIC MOTOR
9	4161.041	PLATE BURNER
10	4161.248	IGNITION ELETTRICAL FOLDER
11	4160.708	SUPPORT FOR THERMOSTAT
12	4160.636	SAFETY THERMOSTAT 90°
13	4160.632	FLAME PROBE
14	4161.039	COPPER EXTENDIN VALVOLE-NOZZLE
15	4160.962	NOZZLE 1/4" - 1/8"
16	4160.963	ELECTROVALVE
17	4160.683	GAS COCK
18	4161.094	VERBINDUNGSMUFFE
19	4160.614	PLAIN WASHER M10
20	4160.700	GAS INLET NOZZLE 3/8 M - 1/8 M
21	4160.964	NIPPLES REDUCER
22	4161.095	NOZZLE 1/4"
23	4161.018	SUPPORT BURNER
24	4160.631	ELECTRIC CABLE
25	4160.651	KEEPER WIRE DEVICE PG11
26	4160.648	COMPLETE PLUG IN
27	4160.650	CONNEXION PLUG 5 PIN
27	4161.401	CONNEXION PLUG 4 PIN
28	4160.649	CONNEXION SOCKET 5 PIN
28	4161.400	CONNEXION SOCKET 4 PIN
29	4160.647	ANGULAR FIX CASE
30	4161.058	LIGHT SWITCH
31	4160.638	COVER SWITCH
32	4161.057	SWITCH
33	4160.635	KEEPER WIRE DEVICE PA 107
34	4161.092	BASE
35	4160.646	GROMMET 16-30-22
36	4161.004	ELECTRONIC PC BOARD
37	4160.639	RIVET POP
38	4160.967	90° DEGREE ELBOW 1/8"
39	4160.768	SUPPORT GAS NOZZLE
40	4160.766	GAS NOZZLE
41	4160.769	NECK PLATE
42	4160.676	GAS BURNER

S/R – Parts available by special request only