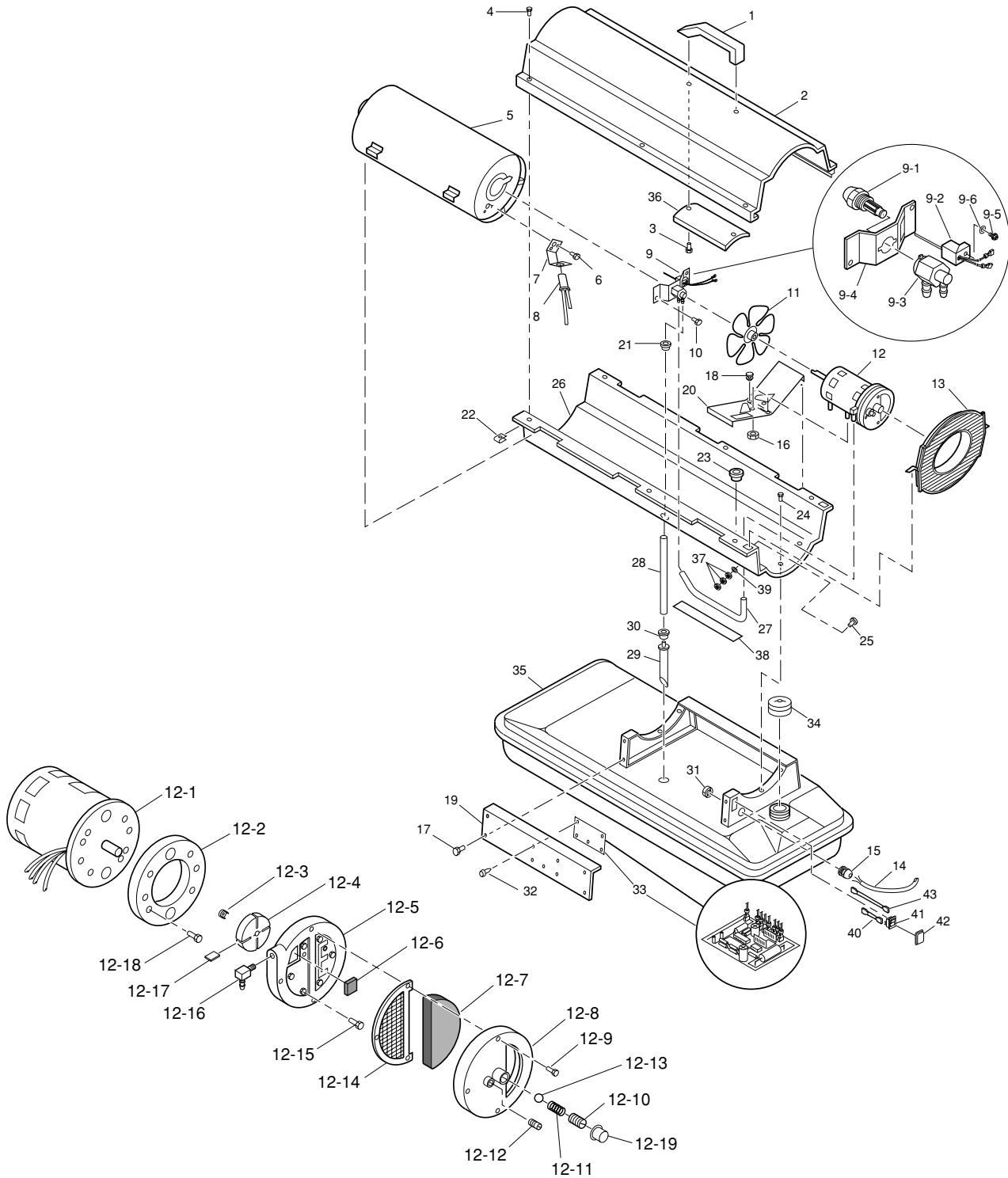


# MASTER DIRECT OIL HEATERS

MODEL 70 CEL 20 kW Model

## ILLUSTRATED PARTS BREAKDOWN



**Motor and Pump Assembly**

MASTER DIRECT OIL HEATERS

MODEL 70 CEL 20 kW

PARTS LIST

Key No.	Part Number	Description	Qty.	Key No.	Part Number	Description	Qty.
1	4110.130	Handle	1	16	4108.486	Hex Lock Nut, 1/4-20	2
2	4110.064	Upper Shell	1	17	4110.124	Screw/Lockwasher, 1/2"	4
3	4160.602	Screw	2	18	4150.553	Rubber Bumper	2
4	4109.590	Screw/Lockwasher	6	19	4100.635	Side Cover	1
5	4110.050	Combustion Chamber	1	20	4110.187	Motor Bracket	1
6	4103.529	Screw, #6-32 x 3/8"	2	21	4101.151	Bushing	1
7	4100.658	Photocell Bracket	1	22	4104.170	Clip Nut	6
8	4103.590	Photocell Assembly	1	23	4101.152	Bushing	1
9	**	Burner Strap Assembly	1	24	4110.124	Screw/Lockwasher, 1/2"	6
9-1	4100.647	Nozzle Assembly	1	25	4110.133	Screw	1
9-2	4110.132	Ignitor	1	26	4110.535	Lower Shell	1
9-3	4100.664	Nozzle Adapter	1	27	4104.147	Rubber Airline	1
9-4	4100.653	Nozzle Adapter Bracket	1	28	4109.567	Fuel Line	1
9-5	4100.669	Screw, #6-32 x 7/8"	1	29	4103.875	Fuel Filter	1
9-6	4100.660	Belleville Washer	1	30	4100.541	Rubber Bushing	1
10	4110.124	Screw/Lockwasherr	2	31	4100.656	Nylon Locknut	1
11	4100.662	Fan	1	32	4100.654	PCB Support	5
12	**	Motor and Pump Assembly	1	33	4110.142	PC Board	1
12-1	4110.079	Motor	1	34	4103.891	Fuel Cap (Includes Gasket)	
12-2	4101.317	Pump Body	1	35	4110.140	Fuel Tank	1
12-3	4108.635	Insert	1	36	4100.671	Shell Heat-Shield	1
12-4	4108.627	Rotor	1	37	4110.134	Nut	3
12-5	4109.724	Pump End Cover	1	38	4110.075	Vinyl Foam Gasket	1
12-6	4109.716	Lint Filter	1	39	4160.613	Lockwasher	1
12-7	4109.690	Intake Filter	1	40	4110.036	Wire Assembly (Brown)	1
12-8	4109.674	End Cover	1	41	4100.667	ON/OFF Switch	1
12-9	4108.528	Screw, #10-32 x 1"	3	42	4104.336	Switch Cover	1
12-10	4102.133	Adjusting Screw	1	43	4110.037	Wire Assembly (White)	1
12-11	4102.141	Pressure Relief Spring	1	<b>PARTS AVAILABLE - NOT SHOWN</b>			
12-12	4102.125	Plug	1				
12-13	4108.379	Steel Ball, 1/4" Diameter	1		4105.292	Filler Neck Screen	1
12-14	4109.708	Output Filter	1		4161.829	PC Board Fuse	1
12-15	4108.528	Screw #10-32 x 1"	6				
12-16	4100.661	Nylon Elbow, 90	1				
12-17	4101.200	Blade	4				
12-18	4108.588	Screw, #10-32 x 5/8"	2				
12-19	4100.666	Plastic Cap	1				
13	4103.685	Fan Guard	1				
14	4110.038	Power Cord	1				
15	4150.528	Strain Relief Bushing	1				

\*\* Parts not available as an assembly, order parts separately.