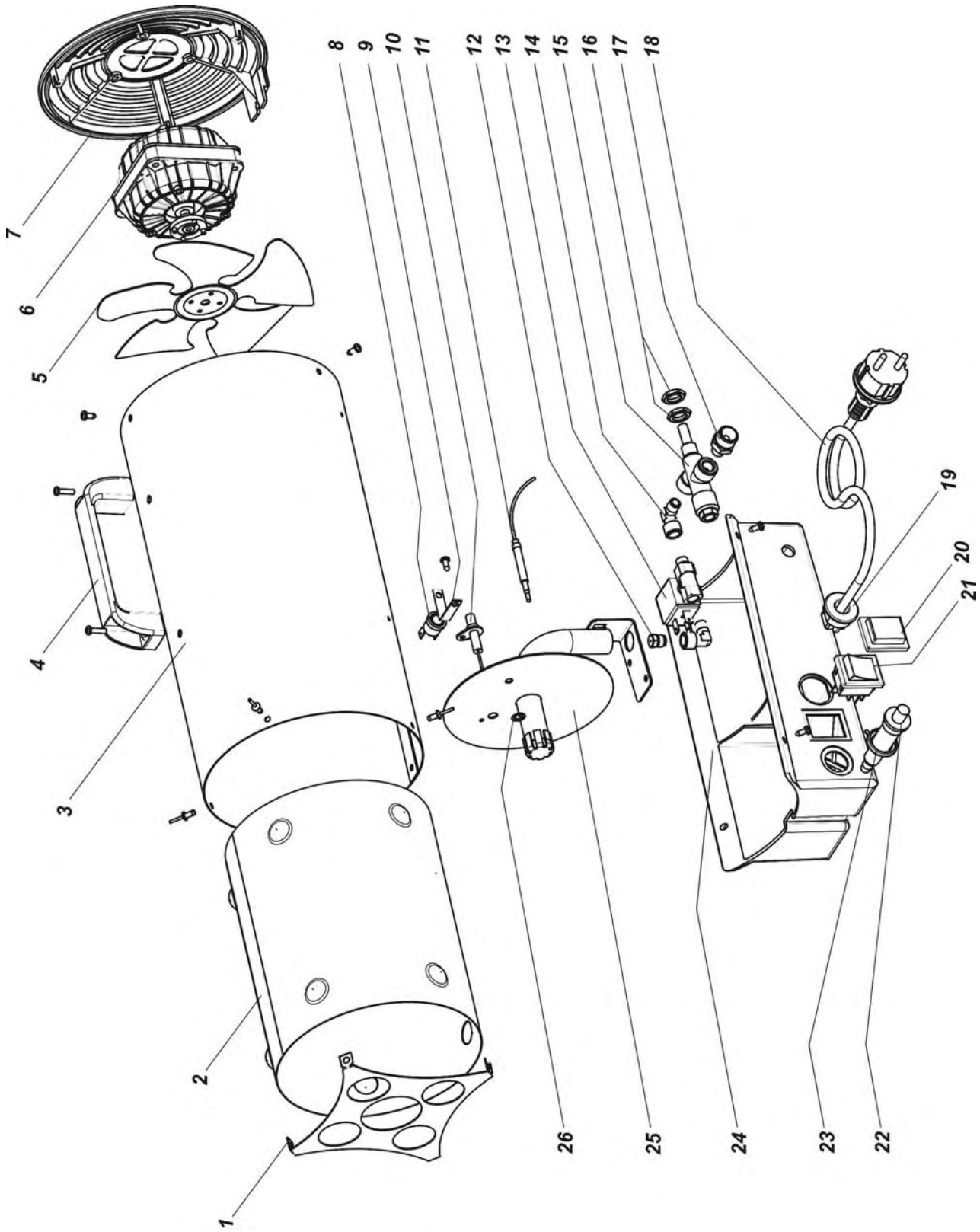


MASTER GAS HEATERS

MODEL 10 kW

ILLUSTRATED PARTS BREAKDOWN



MASTER GAS HEATERS 10 KW

Pos.	Code NR	Description
1	4160.714	OUTLET GRID
2	4161.336	COMBUSTION CHAMBER
3	S/R	COVER
4	4160.715	PLASTIC HANDLE
5	4162.251	FAN ø172 19°
6	4162.243	ELECTRIC MOTOR
7	4160.713	PLASTIC GRID
8	4160.636	SAFETY THERMOSTAT
9	4160.708	SUPPORT FOR THERMOSTAT
10	4160.707	IGNITION ELETTRICAL FOLDER
11	4160.654	INTERRUPTED THERMOCOUPLE
12	4160.746	GAS NOZZLE
13	4160.655	ELECTRO VALVE
14	4160.620	90° DEGREE ELBOW 1/8"
15	4160.653	SAFETY GAS VALVE
16	4160.701	RING NUT M12X0,75
17	4160.700	GAS INLET NOZZLE
18	4160.733	ELECTRIC CABLE
19	4160.635	KEEPER WIRE DEVICE
20	4160.638	COVER SWITCH
21	4160.637	SWITCH
22	4162.222	PIEZO IGNITOR WITH ADAPTER
23	N/A	ADAPTER FOR PIEZO IGNITOR
24	4160.699	PLASTIC BASE
25	4160.702	GAS BURNER
26	4160.627	ELASTIC WASHER

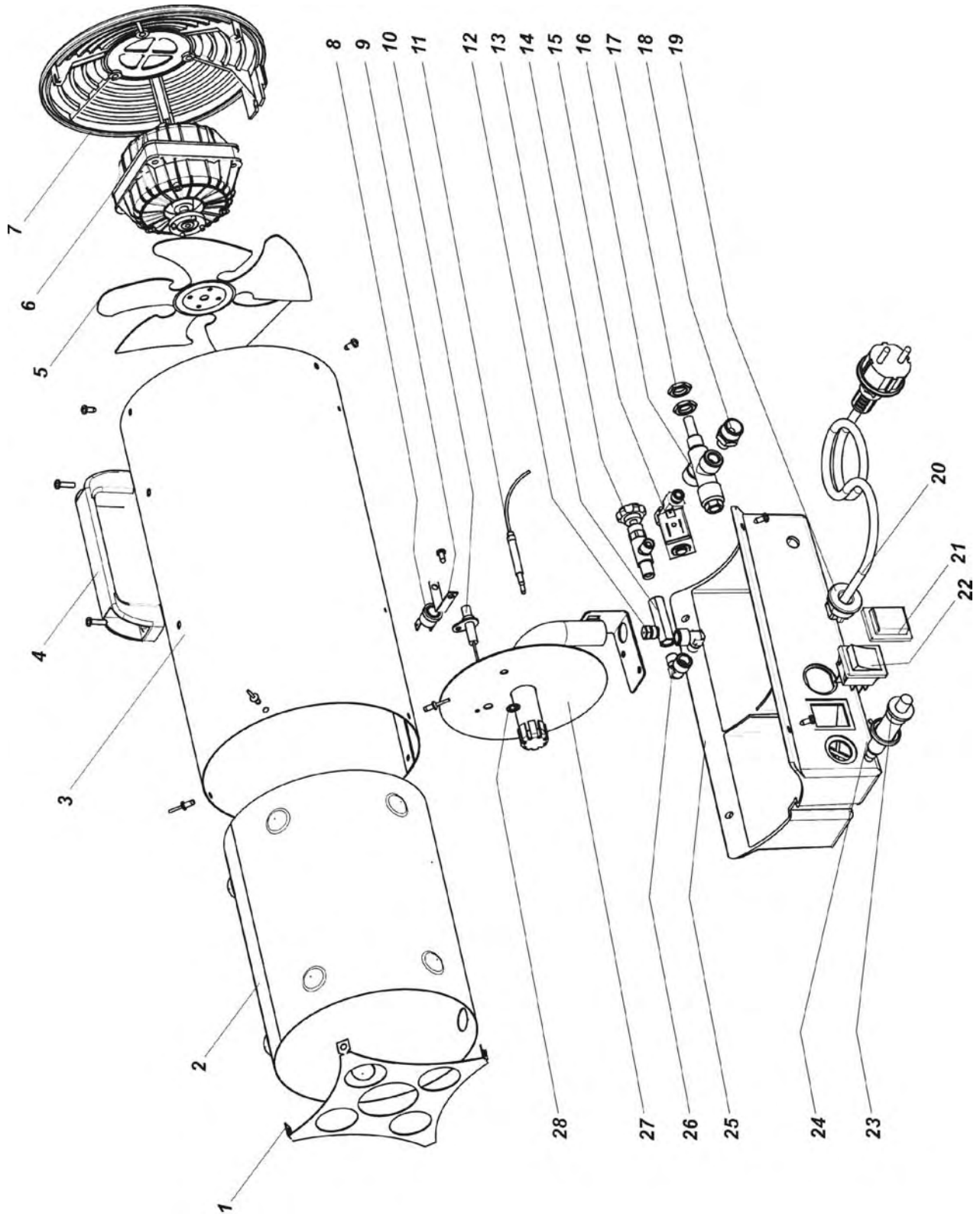
S/R – Parts available by special request only

N/A – Parts not available

MASTER GAS HEATERS

MODEL 15 kW Reg.

ILLUSTRATED PARTS BREAKDOWN



MASTER GAS HEATERS BLP 15M

Pos.	Code NR	Description
1	4160.714	OUTLET GRID
2	4161.372	COMBUSTION CHAMBER
3	S/R	COVER
4	4160.715	PLASTIC HANDLE
5	4162.251	FAN ø172 19°
6	4162.243	ELECTRIC MOTOR
7	4160.713	PLASTIC GRID
8	4160.636	SAFETY THERMOSTAT
9	4160.708	SUPPORT FOR THERMOSTAT
10	4160.707	IGNITION ELETTRICAL FOLDER
11	4160.654	INTERRUPTED THERMOCOUPLE
12	4160.746	GAS NOZZLE
13	4160.742	EXTENSION
14	4160.675	GAS COCK
15	4160.655	ELECTRO VALVE
16	4160.653	SAFETY GAS VALVE
17	4160.701	RING NUT M12X0,75
18	4160.700	GAS INLET NOZZLE
19	4160.635	KEEPER WIRE DEVICE
20	4160.733	ELECTRIC CABLE
21	4160.638	COVER SWITCH
22	4160.637	SWITCH
23	4162.222	PIEZO IGNITOR WITH ADAPTER
24	N/A	ADAPTER FOR PIEZO IGNITOR
25	4160.760	PLASTIC BASE
26	4160.620	90° DEGREE ELBOW 1/8"
27	4160.702	GAS BURNER
28	4160.627	ELASTIC WASHER

S/R – Parts available by special request only

N/A – Parts not available