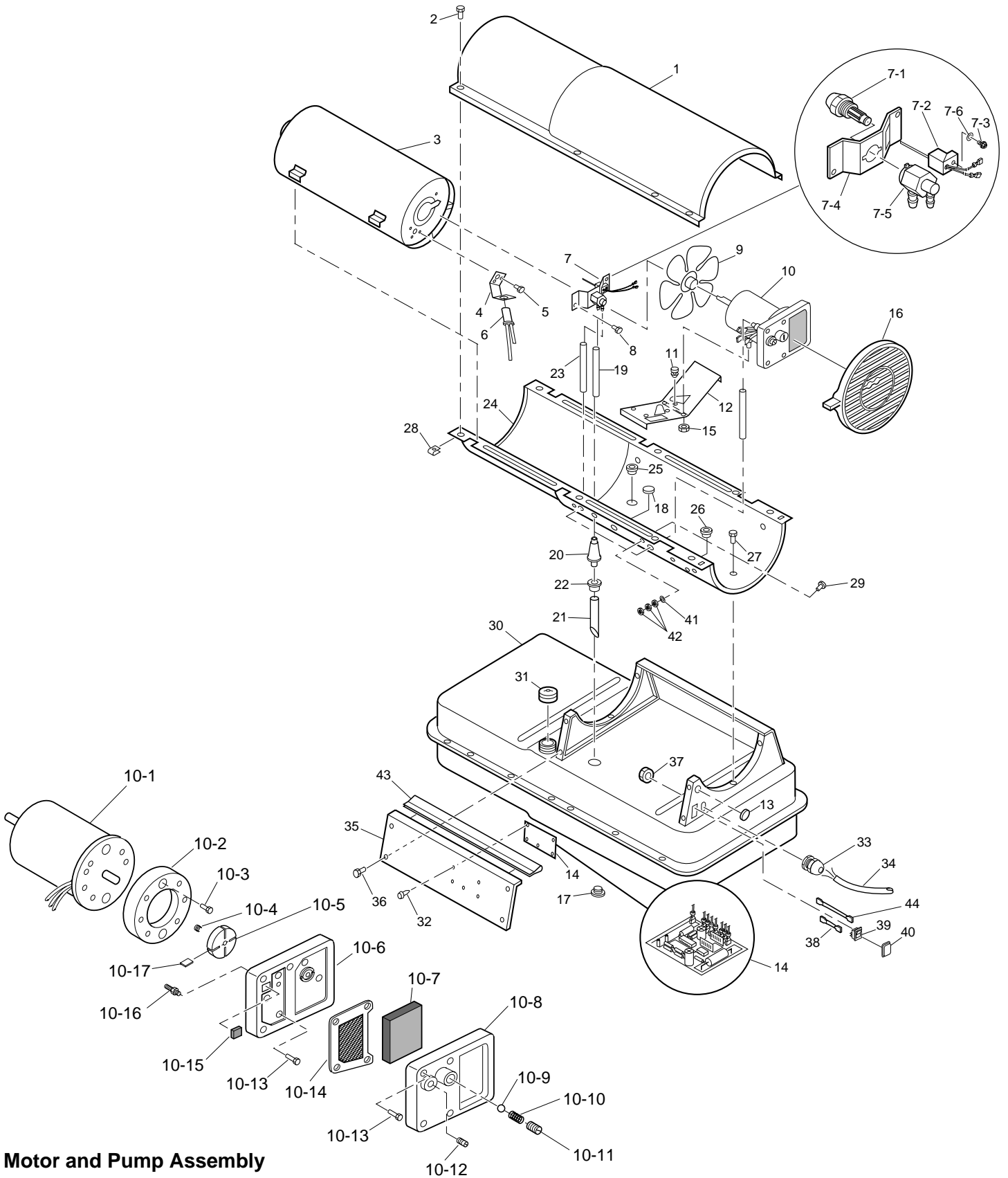


MASTER DIRECT OIL HEATERS

MODEL 100 CEL 29 kW Model

ILLUSTRATED PARTS BREAKDOWN



Motor and Pump Assembly

MASTER DIRECT OIL HEATERS

MODEL 100 CEL 29 kW

PARTS LIST

Key No.	Part Number	Description	Qty.	Key No.	Part Number	Description	Qty.
1	4104.006	Upper Shell	1	17	4100.632	Drain Plug (Includes "o" Ring)	1
2	4109.590	Screw/Lockwasher, 1/2"	8	18	4110.070	Button Plug	1
3	4110.050	Combustion Chamber	1	19	4110.032	Fuel Line	1
4	4100.658	Photocell Bracket	1	20	4100.630	Fuel Filter	1
5	4103.529	Screw	2	21	4110.147	Fuel Line Tube	1
6	4103.590	Photocell Assembly	1	22	4100.541	Rubber Bushing	1
7	**	Burner Strap Assembly	1	23	4104.156	Airline	1
7-1	4100.645	Nozzle Assembly	1	24	4110.063	Lower Shell	1
7-2	4110.132	Ignitor	1	25	4101.112	Bushing	1
7-3	4100.669	Screw, #6-32 x 7/8"	1	26	4160.646	Bushing	1
7-4	4100.653	Nozzle Adapter Bracket	1	27	4110.124	Screw/Lockwasher, 1/2"	6
7-5	4100.663	Nozzle Adapter	1	28	4104.170	Clip Nut	8
7-6	4100.660	Belleville Washer	1	29	4110.133	Screw,	1
8	4110.124	Screw/Lockwasher, 1/2"	2	30	4110.149	Fuel Tank	1
9	4105.062	Fan	1	31	4103.891	Fuel Cap (Includes Gasket)	1
10	**	Motor and Pump Assembly	1	32	4100.654	P.C. Board Support	5
10-1	4110.080	Motor	1	33	4150.528	Strain Relief Bushing	1
10-2	4101.317	Pump Body	1	34	4110.038	Power Cord	1
10-3	4108.590	Screw, #10-32 x 5/8"	2	35	4100.670	Side Cover	1
10-4	4108.635	Rotor Insert	1	36	4110.124	Screw/Lockwasher, 1/2"	4
10-5	4108.627	Pump Rotor	1	37	4100.656	Nylon Locknut	1
10-6	4101.325	Pump End Cover	1	38	4110.036	Wire Assembly (Brown)	1
10-7	4101.358	Intake Filter	1	39	4100.667	ON/OFF Switch	1
10-8	4108.643	End Cover	1	40	4104.336	Switch Cover	1
10-9	4108.379	Steel Ball, 1/4" Diameter	1	41	4100.527	Lockwasher, #10	1
10-10	4102.141	Relief Spring	1	42	4110.134	Nut	3
10-11	4102.133	Adjusting Screw	1	43	4103.850	Edge Liner	1
10-12	4102.125	Plug	1	44	4110.037	Wire Assembly (White)	1
10-13	4108.528	Screw, #10-32 x 1"	10	PARTS AVAILABLE - NOT SHOWN			
10-14	4101.341	Output Filter	1				
10-15	4101.333	Lint Filter	1	4105.292	Filler Neck Screen	1	
10-16	4104.118	Barb Fitting	1	4161.829	PC Board Fuse	1	
10-17	4101.200	Blade	4				
11	4150.553	Rubber Bumper	2				
12	4110.186	Motor Mounting Bracket	1				
12	4100.649	Button Plug	1				
14	4110.142	PC Board	1				
15	4108.486	Hex Lock Nut, 1/4-20	2				
16	4103.695	Fan Guard	1				

** Parts not available as an assembly, order parts separately.